

MATOT Construction site scaffolding



- Cable bridges with extreme spans
- Safe and ergonomic site access
- Easy to install
- Fast relocation with the crane
- Any size possible according to your individual requirements



MATO T Construction site scaffolding

Functional and flexible.

The right scaffolding for your construction site

Scaffolding on construction sites is an important growth area for the Tobler Group.

We prioritize safety and efficiency.

As the market leader for scaffolding systems and a major supplier in the formwork sector, we offer you top construction site access and cable bridges.



MATOT Construction site scaffolding

Product range.



Our product range for your construction site

1. MATO 8 Stair towers	4-5
2. MATO 8 Reinforcement scaffolding	6-7
3. MATO 8 Site acces	8-9
4. MATOT Cable bridges	10-11



MATO 8 Stair towers

More safety and efficiency.

Stair towers

When it comes to safety and efficiency on your construction site, we make no compromises at Tobler.

With our stair towers, you can gain height quickly, easily and conveniently.



Stair tower bridge



Stair tower site access

- Fastest and easiest access to the construction site
- Convenient and ergonomic access to every work level
- Easy assembly
- The perfect solution for comprehensive and smooth material transportation
- High level of protection and safety for workers

MATO 8 Stair towers

More safety and efficiency.



«Standard» stair tower

- can be extended in height as required

Article no.	Designation	Stair tower, 3m height / pc.	Stair tower, 6 m height / pc.	Stair tower, 9 m height / pc.
3-120150	Platform Alu 75 x 150 cm 21 mm hook, 600 kg/m ² , 12.6 kg	1	1	1
3-572150	Stairs Alu 75 x 150 cm, 14.4kg	2	4	6
8-123150	Heavy duty transom 150cm, Aluminium, 6.4kg	6	10	14
8-210043	Starting piece 43 cm, Steel, 2.1 kg	4	4	4
8-213200	Vertical pole 200 cm, Steel, screwed tenon tube, 9,5kg	8	8	20
8-213300	Vertical pole 300 cm, Steel, screwed tenon tube, 13.6 kg		4	
8-220150	Ledger 150 cm, Steel, 4.9 kg	14	31	43
8-226150	Vertical-diagonal 150 x 150 cm, Steel, 7.7 kg	9	18	26
8-9550099	Perforated disc, clampable, Width 22, 1.0kg	4	8	12
Z-522050	Spindle lock 50 cm, Steel galvanized, 3.0 kg*	4	4	4
Z-570065	Hexagon head screw M 12 x 65, Steel galvanized/DIN 931, incl. nut, 0.1 kg	4	12	16
Z-9520080	Threaded base plate 80 cm, with rolled thread, 4.0kg	4	4	4

* alternatively 8-51010 combined with securing handle for vertical pole 8-515050 (4 pcs)

MATO 8 Reinforcement scaffolding

Easy to move.

Reinforcement scaffolding

More flexibility, more speed and maximum safety on the construction site.

The MATO 8 scaffolding construction can be easily moved by hand using a crane or castors.



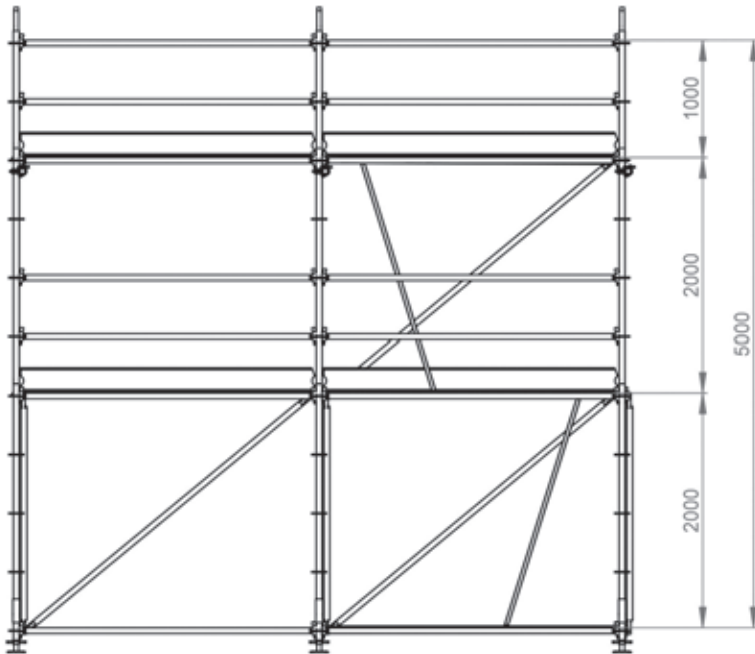
Reinforcement scaffolding is also available with castors for an additional charge

- Fastest assembly
(up to 50% more efficient)
- Maximum flexibility
- Maximum cost efficiency –
you save time and money

- Maximum stability
- Any size possible according to
your individual requirements

MATO 8 Reinforcement scaffolding

Easy to move.



Article no.	Designation	Height 5 m/ Total pcs.
3-120250	Platform Alu 75 x 250 cm, 21 mm hook, with wind protection, 450 kg/m ² , 20.0 kg	3
3-125250	Platform with hatch and ladder Alu light 75 x 250 cm, 38 mm hook, 200 kg/m ² , 21.8 kg	2
3-512250	Toe board Alu 20x250 cm, 4.7 kg	4
8-210043	Starting piece 43 cm, 2.1 kg	9
8-210100	Vertical pole 100 cm, 4.6 kg	6
8-210200	Vertical pole 200 cm, 8.6 kg	12
8-220075	Ledger 75 cm, 3.0 kg	20
8-220250	Ledger 250 cm, 8.1 kg	28
8-225075	Vertical diagonal 200 x 75 cm, 7.4 kg	3
8-225250	Vertical diagonal 200 x 250 cm, 10.3 kg	3
8-510010	Spindle securing, 0.9 kg	3
Z-290150	Scaffolding tube Steel 150 cm, 3.7 kg	3
Z-522050	Spindle securing Steel galvanized, 3.20 kg	6
Z-570065	Hexagon head screw M12 x 65 incl. nut, Steel galvanized, 0.10 kg	12
Z-9520050	Threaded base plate 50 cm, 3.6 kg	9
Z-9540248	Cross coupling 48/48 SW22, 1.25 kg	6

MATO 8 Site access

Quick and easy to install.

Construction site access

Construction site access with the powerful MATO 8 bring efficiency and safety to every construction site.

With your investment, you are also investing maximum flexibility and versatility



- Quick and easy to build
- Can be extended as required
- Aluminium platform or non-slip sheet steel platform
- Easy to move by crane
- If the construction site access is no longer required, the individual system components can be used for other applications

MATO 8 Site access

Lightweight and stable.



Variant 1



Article no.	Designation	Total Stk.
3-115250	Platform Alu 50 x 250 cm, 13.8 kg	2
3-120250	Platform Alu 75 x 200 cm, 20.0 kg	2
8-210035	Starting piece 35 cm, Steel, 1.8 kg	4
8-211150	Vertical pole 150cm, Steel, 6.1 kg	2
8-211200	Vertical pole 200 cm, Steel, 8.0 kg	4
8-220125	Ledger Steel 125 cm, 4.5 kg	5
8-220250	Ledger 250cm, 8.1 kg	12
8-225250	Vertical-diagonal Steel H200 / L250 cm, 10.2 kg	4
Z-522040	Spindle securing Steel galvanized, 2.3 kg	4
Z-9520030	Threaded base plate 30 cm with rolled thread, 2.1 kg	4

Variant 2



Article no.	Designation	Total Stk.
3-115250	Platform Alu 50 x 250 cm, 13.8 kg	2
3-120250	Platform Alu 75 x 250 cm, 20.0 kg	2
8-210035	Starting piece 35 cm, Steel, 1.8 kg	4
8-211100	Vertical pole 100cm, Steel, 4.0 kg	4
8-211250	Vertical pole 250 cm, Steel, 10.1 kg	2
8-220125	Ledger Steel 125 cm, 4.5 kg	4
8-220250	Ledger 250 cm, 8.1 kg	12
8-225250	Vertical-diagonal Steel H200 / L250 cm, 10.2 kg	4
Z-522040	Spindle securing Steel galvanized, 2.3 kg	4
Z-9520030	Threaded base plate 30 cm with rolled thread, 2.1 kg	4

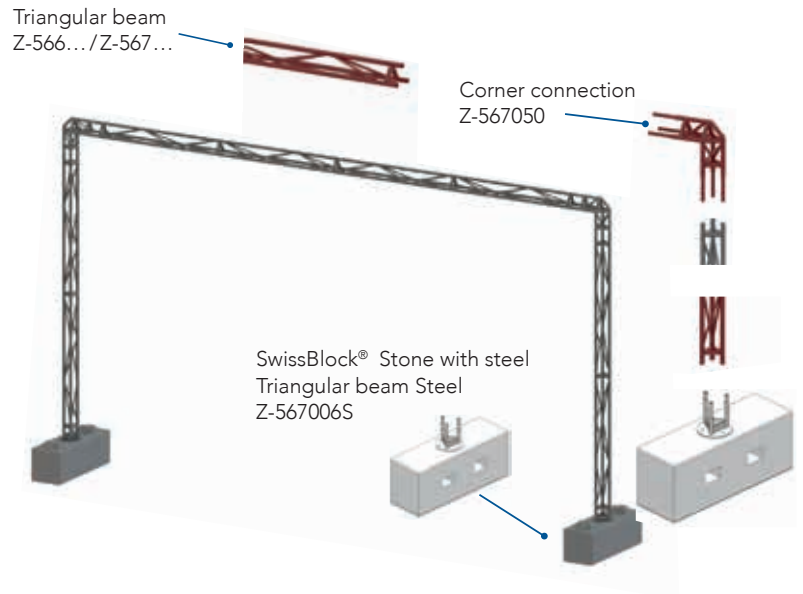
MATO T Cable bridges

Quick and easy to install.



Cable bridges

- Maximum stability
- Modularly expandable
- easy to install
- SwissBlock® System-
blocks enable flexible
ballasting for large spans



Bridge length	Permissible load at wind speeds up to max. 100 km/h	
	Cable bridge Alu	Cable bridge Steel
L ≤ 10,00m	Q = 0,55 kN/m	Q = 0,70 kN/m
L ≤ 12,00m	Q = 0,35 kN/m	Q = 0,50 kN/m
L ≤ 14,00m	Q = 0,25 kN/m	Q = 0,40 kN/m

Article no.	Designation	Cable bridge 10m/Stk.	Cable bridge 12m/Stk.	Cable bridge 14m/Stk.
Z-566520	Triangular beam 420cm, Aluminium	2	2	2
Z-566520	Triangular beam 520cm, Aluminium	2	-	-
Z-566620	Triangular beam 620cm, Aluminium	-	2	-
Z-566720	Triangular beam 720cm, Aluminium	-	-	2
Z-567050	Corner connection zu Triangular beam, Steel	2	2	2
Z-560045	Connecting tube 45cm, Steel	3	3	3
Z-570065	Hexagon head screw, M 12 × 65, inkl. Mutter	48	48	48
Z-567015	Support for triangular beam, Steel	2	2	2
Z-567006S	SwissBlock® Stone, 150 × 50 × 50cm	2	2	2

MATO T Cable bridges

Lightweight and stable.



Triangular beam für cable bridge

- axle dimension: 20 × 20 × 20 cm
- Aluminium

Article no.	Length	Weight
Z-566160	160 cm	16.0 kg
Z-566320	320 cm	24.0 kg
Z-566420	420 cm	30.0 kg
Z-566520	520 cm	36.0 kg
Z-566620	620 cm	42.0 kg
Z-566720	720 cm	52.6 kg
Z-566820	820 cm	54.0 kg

- Steel

Article no.	Length	Weight
Z-567160	160 cm	34.0 kg
Z-567320	320 cm	43.5 kg
Z-567420	420 cm	55.0 kg
Z-567520	520 cm	75.0 kg

Corner connection for triangular beam

- Steel

Article no.	Weight
Z-567050	29,2 kg

Connecting tube

Article no.	Length
Z-560045	45 cm

Hexagon head screw incl. nut

Article no.	Dimension
Z-570065	M 12 × 65

Cross coupling 48 / 48 mm w. screw

Article no.	Weight
Z-540248	1,2 kg

Support for triangular beam Steel

Article no.	Weight
Z-567015	14,2 kg

SwissBlock® – System stones

Article no.	Dimensions	Weight / stone
Z-567006S	150 × 50 × 50 cm	840 kg
Z-567003	50 × 50 × 50 cm	300 kg



Z-567050



Z-560045



Z-570065



Z-566320/
Z-567320



Z-567015



Z-540248



Z-567003



Z-567006S



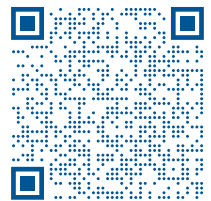
At home in Switzerland – anchored in Europe

We are constantly driving forward the internationalization of our product range.



**Order
& Consulting**
bestellung@tobler-ag.com
+41 71 886 06 06

Online Ordering



Copyright 2024 Tobler AG / 11.2024

« Speed up work on the construction site with scaffolding from Tobler and receive maximum security.
We can also meet extreme requirements with our solutions for you. »



Markus Etter
Sales manager
Scaffolding

